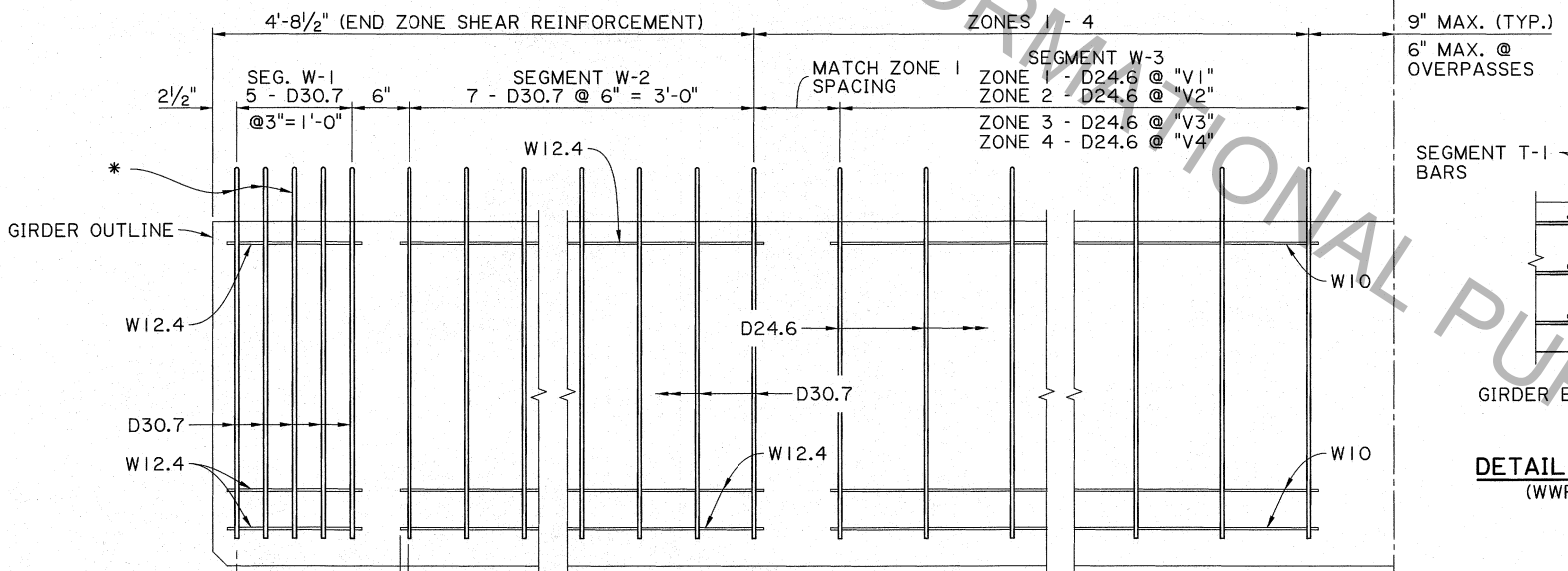
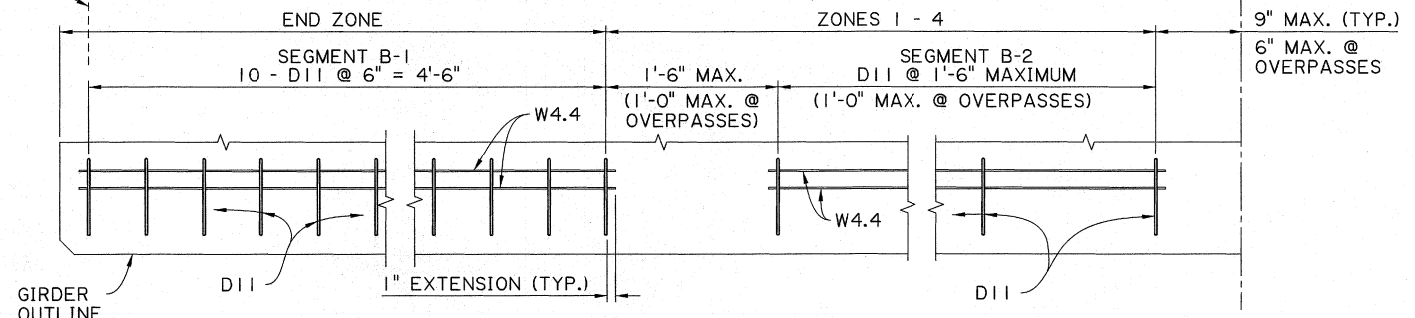


**GIRDER PLAN VIEW**  
(SHOWING TOP FLANGE WWR TO REPLACE BARS 401)

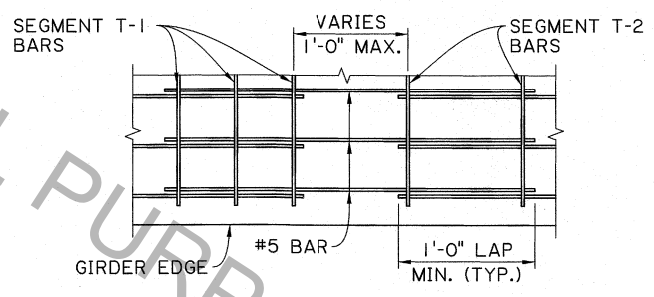


**GIRDER ELEVATION**  
(SHOWING WEB WWR TO REPLACE BARS 501)

SEGMENTS W-1 & W-2 ARE TIED TO B-1 SEGMENTS

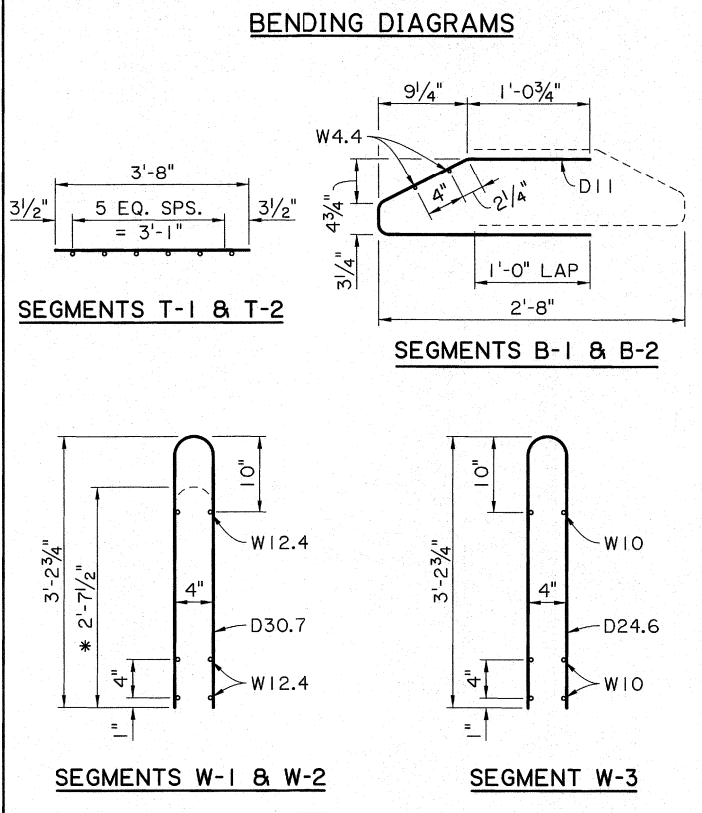


**PARTIAL GIRDER ELEVATION**  
(SHOWING BOTTOM FLANGE WWR TO REPLACE BARS 301)



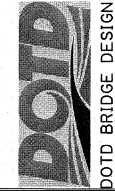


**DETAIL A - REINFORCEMENT ALTERNATIVE**  
(WWR WITH #5 DROP IN BAR ALTERNATIVE)

LIST OF WELDED WIRE REINFORCEMENT				
SEG.	SIZE	NO. BARS	UNIT LENGTH	LOCATION
T-1	D19.6	20	3'-8"	TRANSV. TOP FLANGE REINF.
	D30.7	6	4'-8"	LONG. TOP FLANGE REINF.
T-2	D19.6	VARIABLE	3'-8"	TRANSV. TOP FLANGE REINF.
	D30.7	6	VARIABLE	LONG. TOP FLANGE REINF.
W-1	D30.7	10	6'-8"	STIRRUP
W-2	D30.7	14	6'-8"	STIRRUP
W-3	D24.6	VARIABLE	6'-8"	STIRRUP
B-1	D11	40	4'-0"	CONFINEMENT REINF.
B-2	D11	VARIABLE	4'-0"	CONFINEMENT REINF.



- NOTES:**
1. THE REQUIRED AREAS OF WEB WWR IN ZONES 1-4 TO REPLACE BARS 501 HAVE BEEN REDUCED IN PROPORTION TO THE INCREASE IN WWR YIELD STRENGTH OF 75 KSI. ALL OTHER WWR SIZES ARE EQUIVALENT TO CONVENTIONAL REINFORCEMENT SIZES. WWR SIZES SHOWN ARE MINIMUM REQUIREMENTS. AT CONTRACTOR'S OPTION, BAR SIZES LARGER THAN THESE MINIMUM SIZES MAY BE PROVIDED.
  2. SEGMENTS MAY BE FABRICATED IN MULTIPLE LENGTH SECTIONS. THE CONTRACTOR SHALL ALIGN SEGMENTS SO THAT THE WIRE SPACING REMAINS CONSISTENT.
  3. SUPPLEMENTAL TRANSVERSE #4 BARS ARE PERMITTED TO SUPPORT SEGMENTS W-1, W-2, AND W-3 UNDER THE CROSS WIRES ON THE BOTTOM ROW OF STRANDS.
  - \* 4. AT GIRDER ENDS WHERE AN EXPANSION JOINT ASSEMBLY IS REQUIRED, THE FIRST THREE STIRRUPS IN SEGMENT W-1 SHALL BE FABRICATED TO 2'-7 1/2" IN HEIGHT. SEE LG COMMON DETAILS (SHT. 11 OF 11) FOR EXPANSION JOINT ANCHOR BOLT DETAIL.

SHEET NUMBER	--
DESIGNED	Z. LIANG
CHECKED	B. KEVER
DETAILED	B. KEVER
CHECKED	T. OUTANG
REVIEWED	Z. Z. FU
SERIES #	2 OF 2
PARISH	
CONTROL SECTION	
STATE	
PROJECT	
BY	
REVISION OR CHANGE ORDER DESCRIPTION	
NO.	
DATE	
	
<b>LG-36 - REINFORCEMENT</b> WELDED WIRE REINFORCEMENT	
LG-36	
	
7/19/18	
	
DOTD BRIDGE DESIGN	